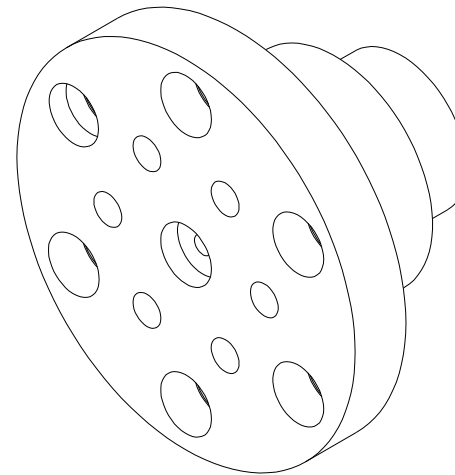
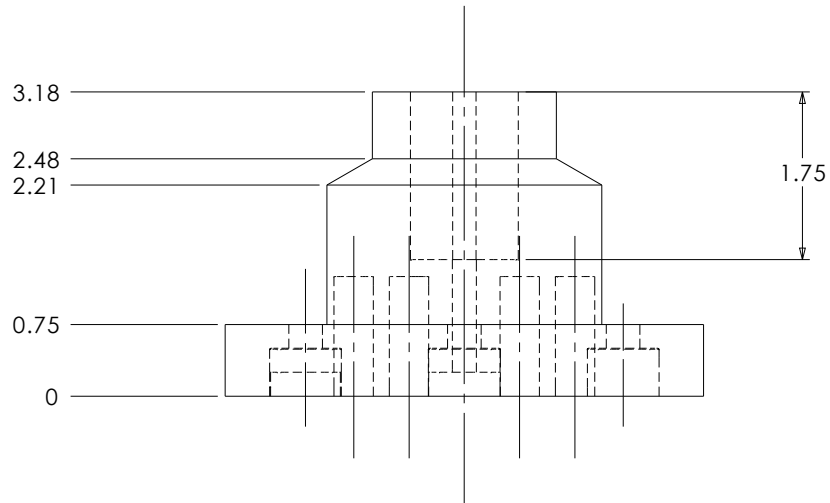
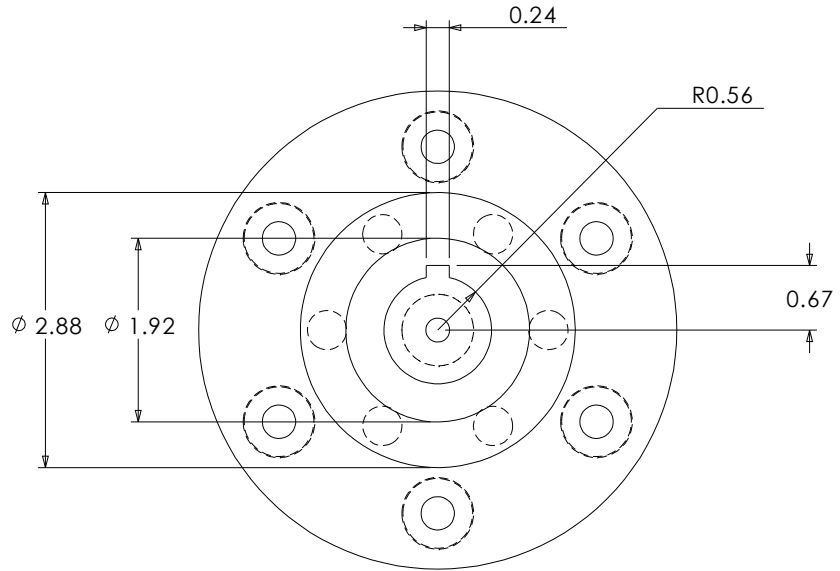
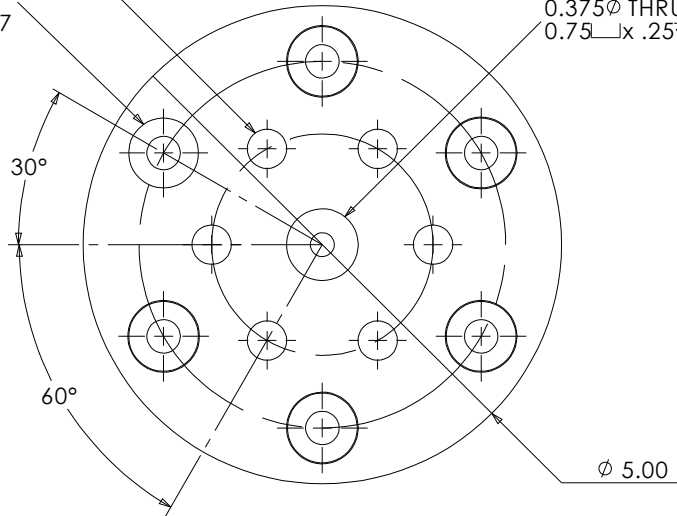


0.412 $\phi$  x 1.25 $\nabla$   
6X ON R1.157

0.35 $\phi$  THRU  
0.73 $\perp$  x .5 $\nabla$   
6X ON R1.917

0.375 $\phi$  THRU  
0.75 $\perp$  x .25 $\nabla$



DIMENSIONS ARE IN INCHES  
TOLERANCES:  $\pm$ .003  
ANGULAR:  $\pm$ .1  
TWO PLACE DECIMAL  $\pm$ .01  
THREE PLACE DECIMAL  $\pm$ .003

	NAME	DATE
DRAWN	N.S.L.Smith	03/16/2005
CHECKED	J. JOLLY	03/16/2005
COMMENTS:	DO NOT SCALE DRAWING	

BJ CANE Design Team

PRIMARY BUSHING

SIZE		REV
A	12Mar05 Bushing (Primary).SLDDRW	A
SCALE	1:2	P/N: BUSH 1
		SHEET 1 OF 1